



ACR GlobalFix™ PRO

406 MHz GPS Emergency Position Indicating Radio-Beacon



EPIRB

THE SCIENCE OF SURVIVAL





ACR GlobalFix™ PRO

406 MHz GPS Emergency Position Indicating Radio Beacon

The next-generation GlobalFix PRO features a professional grade, 16-channel GPS receiver for faster location acquisition — typically 3 to 5 times faster than a conventional GPS from a cold start. Upon activation, the built-in GPS receiver transmits your position coordinates in a powerful 406 MHz signal along with your registered, digitally-coded distress signal and a 121.5 MHz SAR homing frequency. The 100-m GPS position accuracy is the optimum allowed by Cospas-Sarsat.

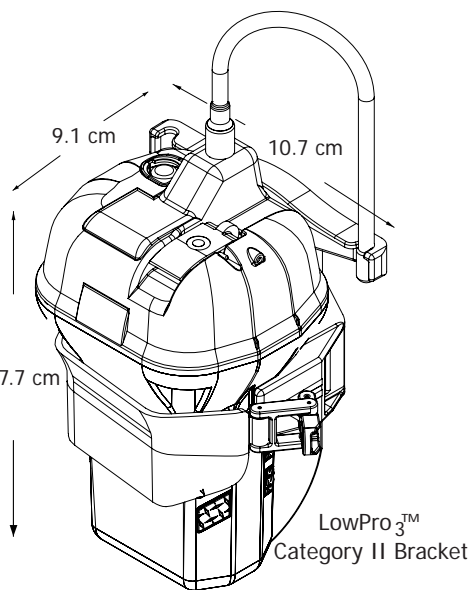
The GlobalFix PRO also features a built-in LED strobe light, full-function test mode, and GPS acquisition testing. The exclusive polycarbonate blend case is designed for maximum UV, chemical, temperature, and shock resistance.

The Automatic Category I Sea Shelter₃ bracket is fully enclosed and is made of high-density, UV-stabilized polyethylene for years of extreme abuse, while the manual Category II LowPro₃ bracket has a low profile and features a 2-part design for easy mounting and quick removal when needed.

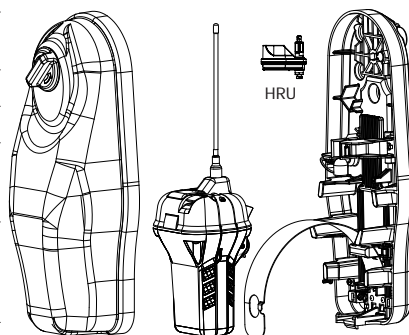
- Faster Notification = Faster Response
- Bright LED strobe conserves battery power without sacrificing intensity
- Full self-check of circuitry, battery voltage and GPS acquisition
- Minimum 48 hours operating life, typical performance is 70+ hours

SPECIFICATIONS

Product Number	2842 Category I, Class 2 2844 Category II, Class 2
Model Number	RLB-37
Size (no antenna)	17.7 X 10.7 X 9.1 cm
Weight	20.5 oz (581 g)
Battery	Class 2 (non-hazmat) lithium batteries
Replacement	Replacement due six (6) years from date of manufacture or five (5) years after beacon is placed into service, whichever is first, or after emergency use
Material	High impact UV resistant polymer
Deployment	Category I-Hydrostatic release (auto) Category II-Manual release
Activation	Out of bracket and wet, or manually
Waterproof	10 m @ 10 min, Exceeds RTCM requirements
Output Power	6.3 W +/-2dB (406.037 MHz) 50 mW +/-3dB (121.5 MHz)
Operational Life	48 Hours minimum @ -4°F (-20°C)
Typical Performance	70+ hrs. @ -20°C; Longer in higher ambient temperature
Operating Temp.	-20°C to +55°C (Class 2)
Storage Temp.	-34°C to +70°C
Accessories	•SeaShelter ₃ ™ (P/N 9501) •LowPro ₃ ™ (P/N 9502) •Cat I HydroFix™ HRU (P/N 9490)
Approvals	Cospas-Sarsat, FCC, IC, MED Acceptances: USCG Meets: GMDSS, RTCM, IEC, and IMO standards
Limited Warranty	5 years



- High Efficiency Electronics
- Ergonomic, Compact Design
- Highly Visible LED Strobe
- Internal 16 Channel GPS Receiver
- Marine Tough Design for Years of Useful Service
- Non-Hazmat Battery
- Electronic Battery Witness Seal
- Made in the U.S.A.



Distributed by:

www.ACRARTEX.com

For further information please contact:

ACR Electronics, Inc. • 5757 Ravenswood Road • Fort Lauderdale, FL 33312
Tel: (954) 981.3333 • Fax: (954) 983.5087 • Email: sales@acrartex.com

